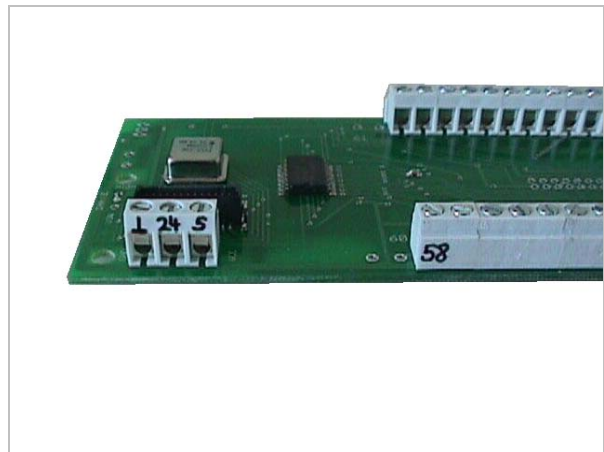
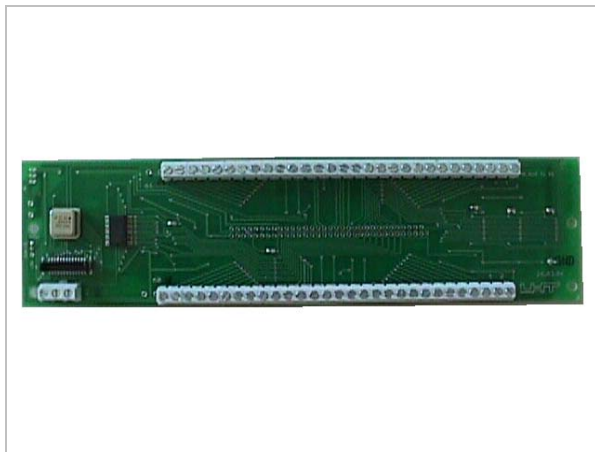


8 x 8 to 61 - Interface

8x8 to 61 > UHT - Interface for Pipe Organs ,8x8 a 61'

S40_8x8 to 61 makes it possible to connect UHT organ keyboards to the electric / electronic of pipe organs with electric consoles. The contacts are arranged in 8bit – groups, like they are used in electronic church organs. UHT works with Hall switches, double Hall switches or Hall linear sensors. Hall contacts have an integrated trigger which warrants an exact switching.

S40_8x8 to 61 transforms the 8x8 matrix into 61 single outputs. Withal the normal 5V will be lift up to 40V. With a Jumper a positive active - or negative active logic can be selected. The standard power output is 1A / output (key). In combination with keyboards with less keys (58, 56 or 54 keys) the unused outputs will not be connected. Keyboards with e.g. 'F' starting can also easily be connected.

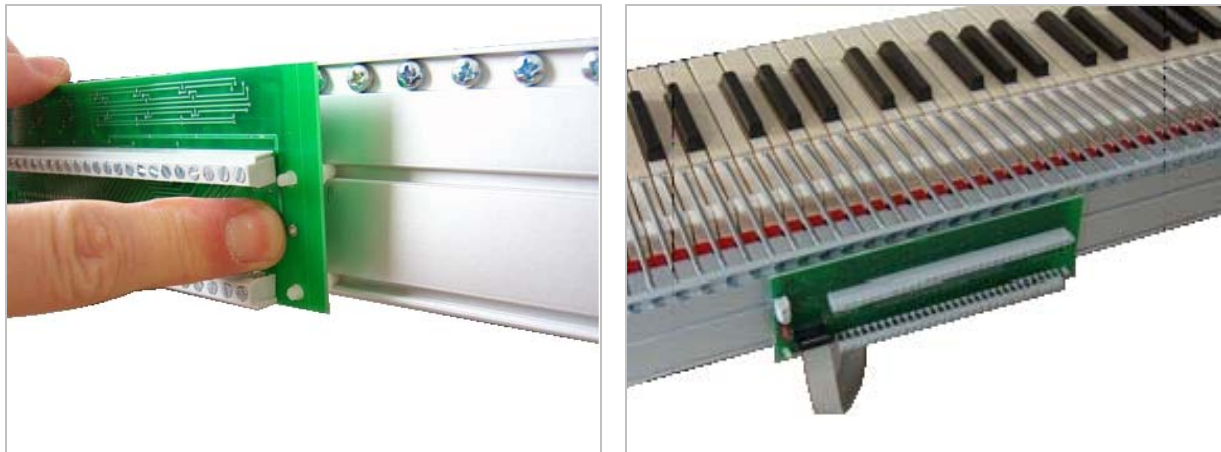


There are 2 ways to connect S40_8x8 to 61 to the electric of the organ.

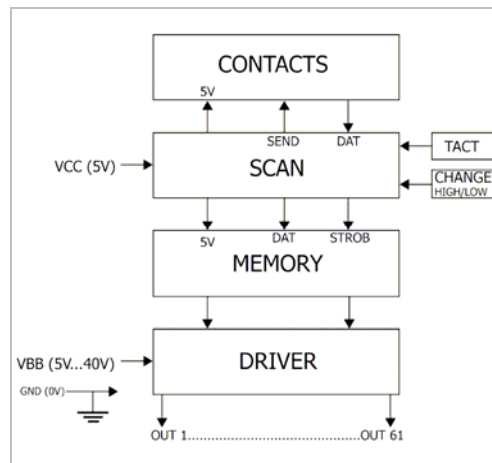
- 1) with a 64pol. flat cable
- 2) with screw connectors



The interface board is designed, so that it can easily be fixed at the aluminium frame on backside of the keyboard. The interface is connected with a 26pol. cable with the keyboard. A power of 5V ...40V (VBB) is needed. Also needed is 5V (VCC) for the contacts and the key scanning. A quartz generator controlled electronic ensures a fast and exact key scan and the transportation of the key information to 61 memory elements which give out the signals in 'real time'.



To protect the electronic on the interface board, the particular components are put on the bottom side. On the upper side (top) are only the connectors.



Please note: S40_8x8 to 61 is an open board with interlayer connection (open frame). The board is also NOT protected against wrong polarity.